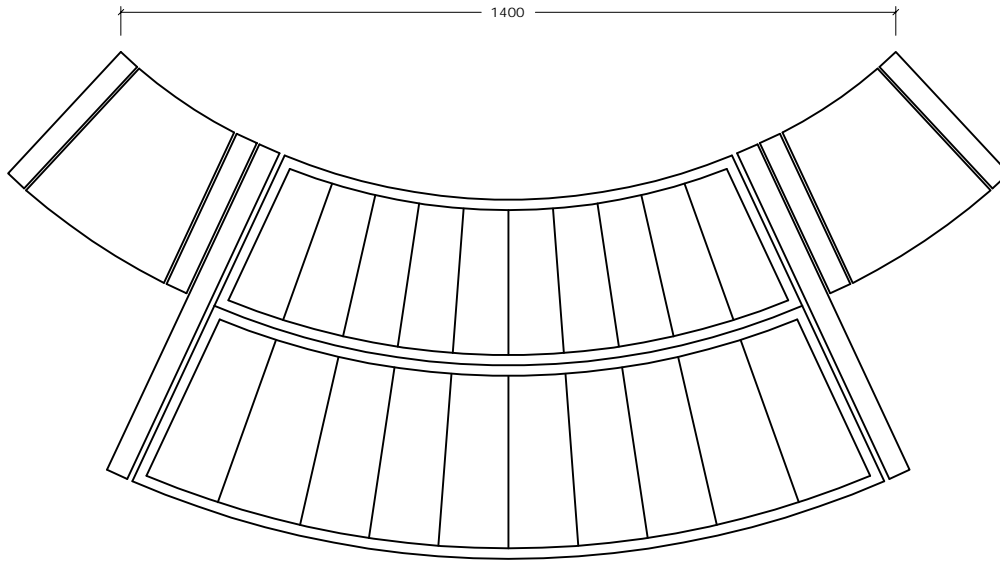
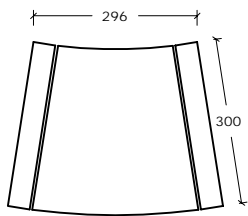


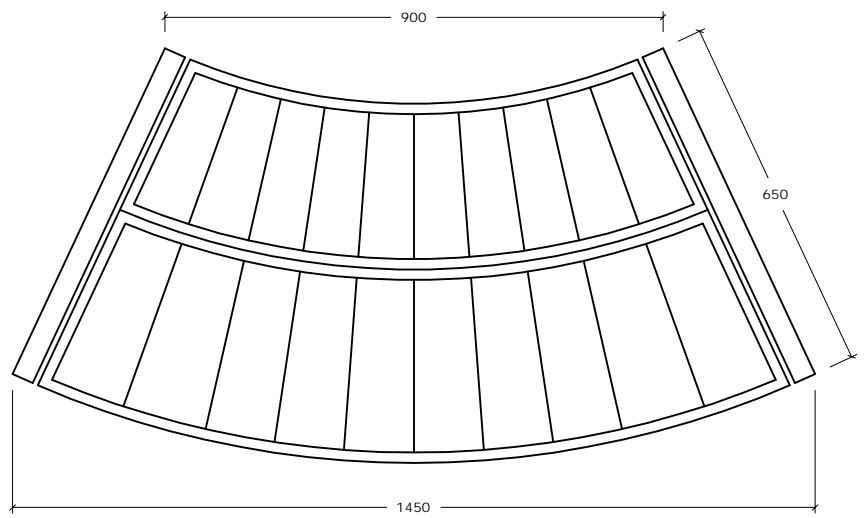
New Port



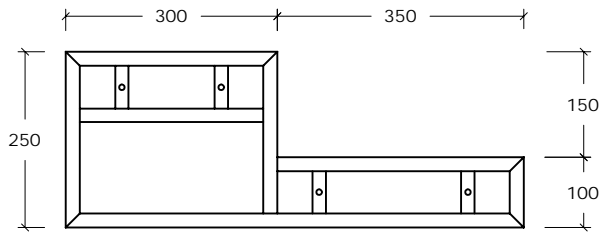
* Rack



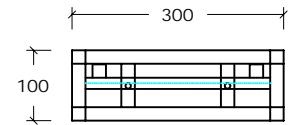
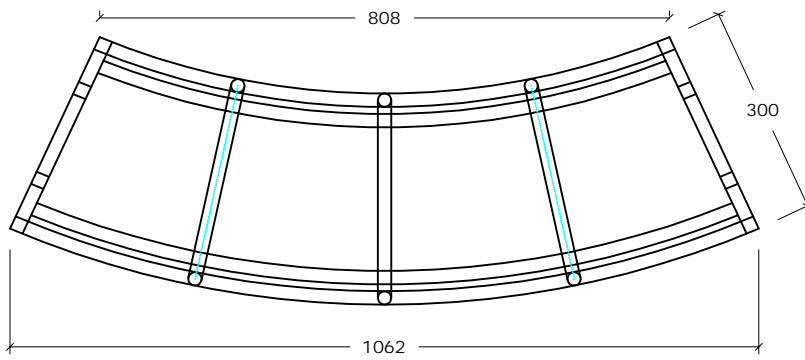
* Stepper



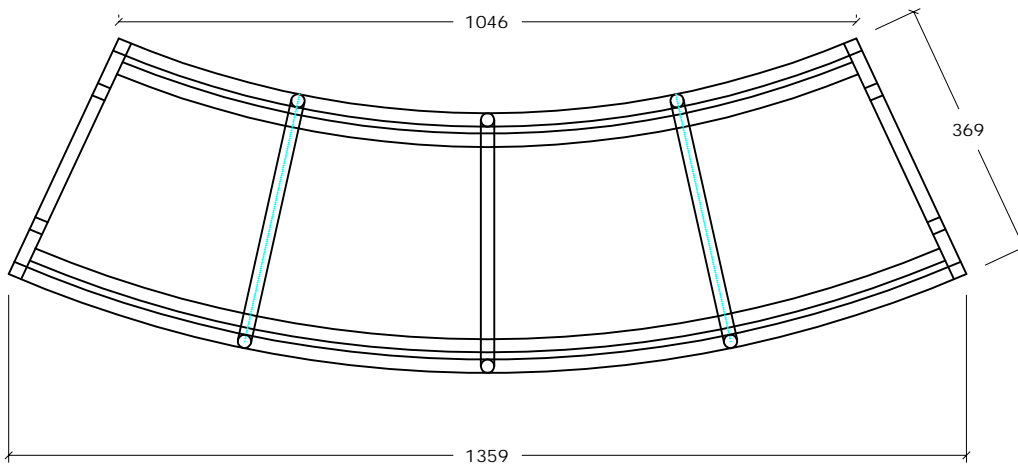
* Stepper Leg



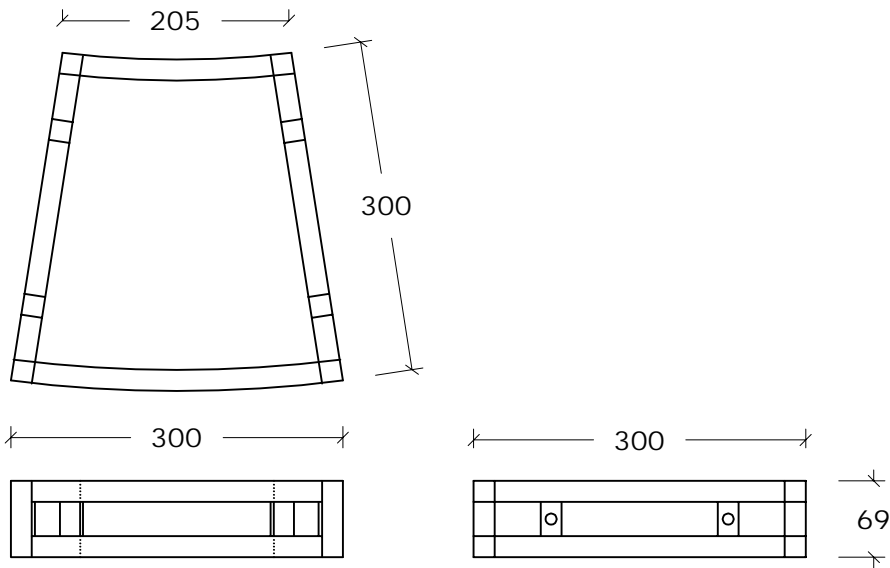
* Upper Leg



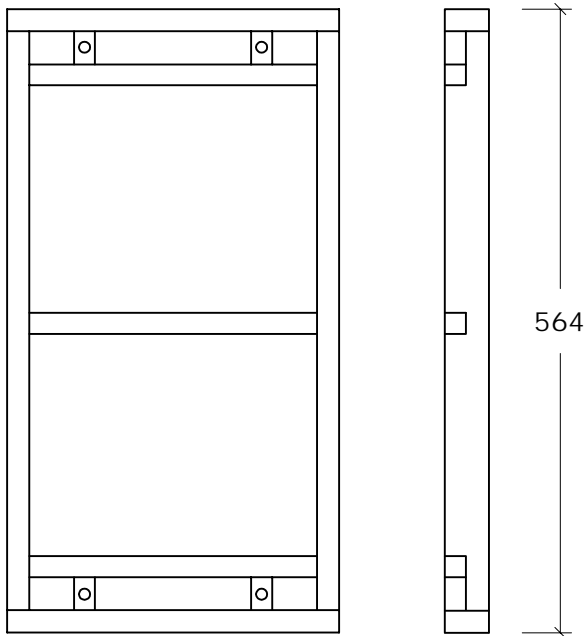
* Lower Leg



* Top / Bottom Rack



* Rack Leg



* Middle Rack

